

RFCOMPONENTS.COM.AU

Reactive Splitter Combiners

RFSC550-6000-X-43F

550 MHz - 6000 MHz, 4.3-10 Female, 2, 3 and 4 Way

LOW PIM SERIES

ELECTRICAL SPECIFICATION

Model No.	RFSC550-6000-2-43F	RFSC550-6000-3-43F	RFSC-550-6000-4-43F
Splitter	2way	3way	4way
Frequency	550-6000MHz		
Insertion loss	3dB	dB	6 dB
Return Loss	17.7 dB min		
Split loss	≤ 0.3dB	≤ 0.6 dB	≤1 dB
Power handling	300W CW max		
IMD@2*43dBm(900 MHz, 1800MHz, 3500MHz)	158 dBc typ., 155dBc min		
Impedance	50Ω		

MECHANICAL SPECIFICATION

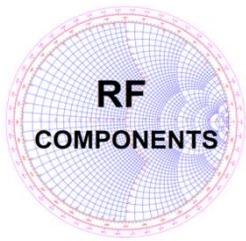
RF Connectors	4.3-10 Female on All Ports
RF Connectors Configuration	See outline
Weight	1.0 Kg max
Dimensions	See outline
Outside finish	Powder Coating
Product Configuration	Single unit
Mounting option	Screws
Mounting orientation	Any
Ground screw	N/A

PACKAGING SPECIFICATION

Applicable standard	NEBS GR-63-CORE
---------------------	-----------------

ENVIRONMENTAL SPECIFICATION

Operating Temperature Range	-25°C to +70°C
Storage Temperature Range	-40°C to +85°C
Relative humidity	95% max
IP Class	IP65 for indoor or outdoor



RFCOMPONENTS.COM.AU

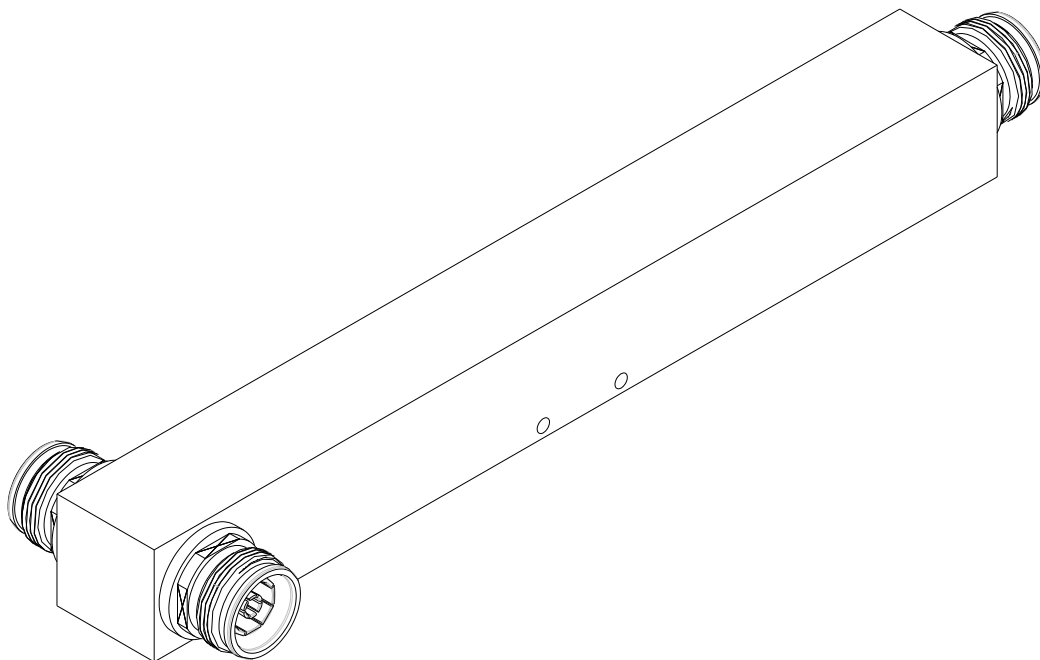
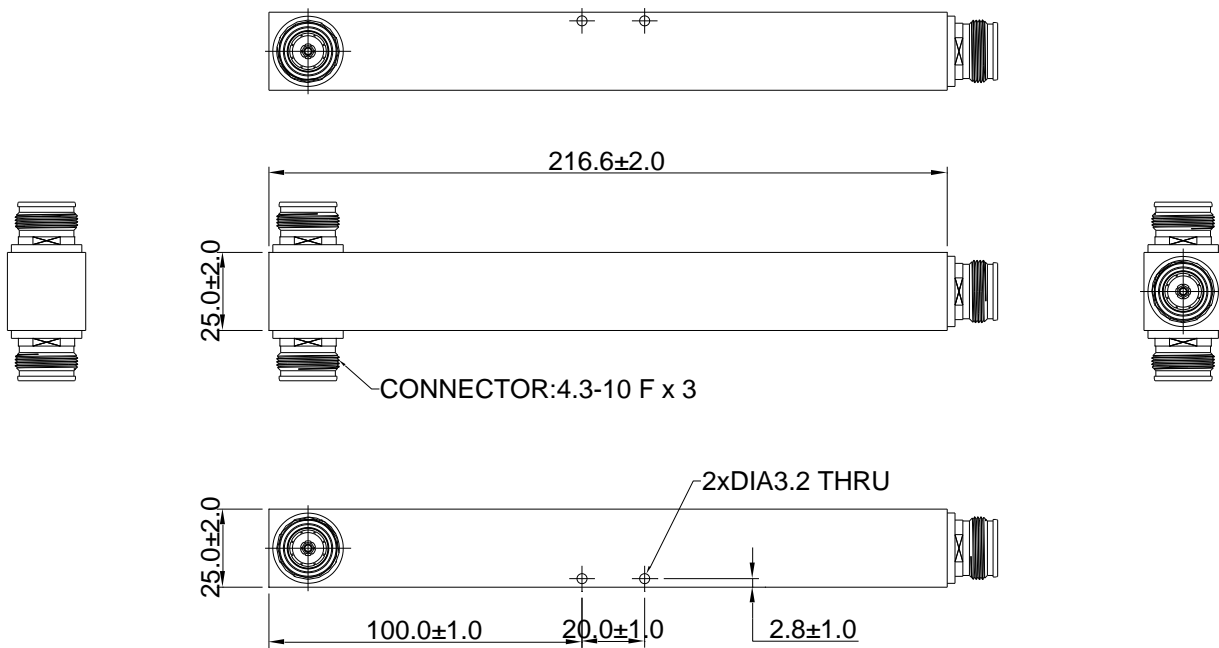
Reactive Splitter Combiners

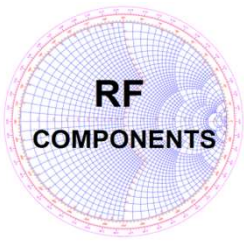
550 MHz - 6000 MHz, 4.3-10 Female, 2, 3 and 4 Way

RFSC550-6000-X-43F

LOW PIM SERIES

Outline for 2 Way Splitter, 4310 female





RFCOMPONENTS.COM.AU

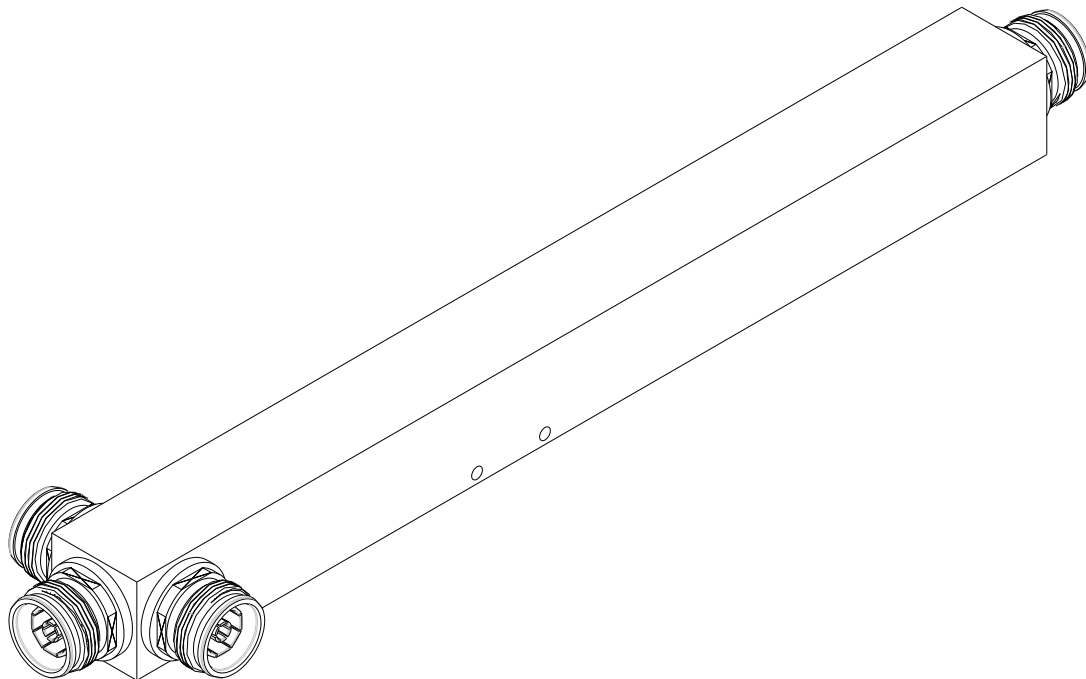
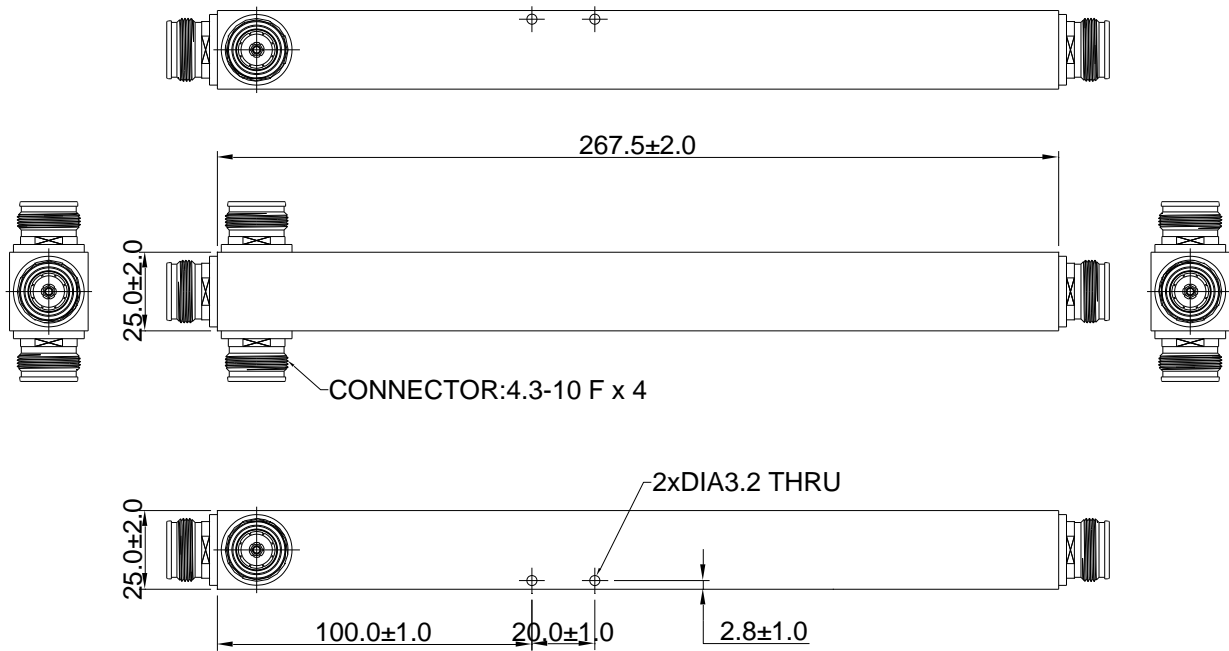
Reactive Splitter Combiners

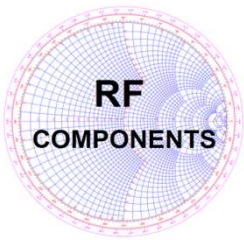
550 MHz - 6000 MHz, 4.3-10 Female, 2, 3 and 4 Way

RFSC550-6000-X-43F

LOW PIM SERIES

Outline for 3 Way Splitter, 4310 female





RFCOMPONENTS.COM.AU

Reactive Splitter Combiners

550 MHz - 6000 MHz, 4.3-10 Female, 2, 3 and 4 Way

RFSC550-6000-X-43F

LOW PIM SERIES

Outline for 4 Way Splitter, 4310 female

